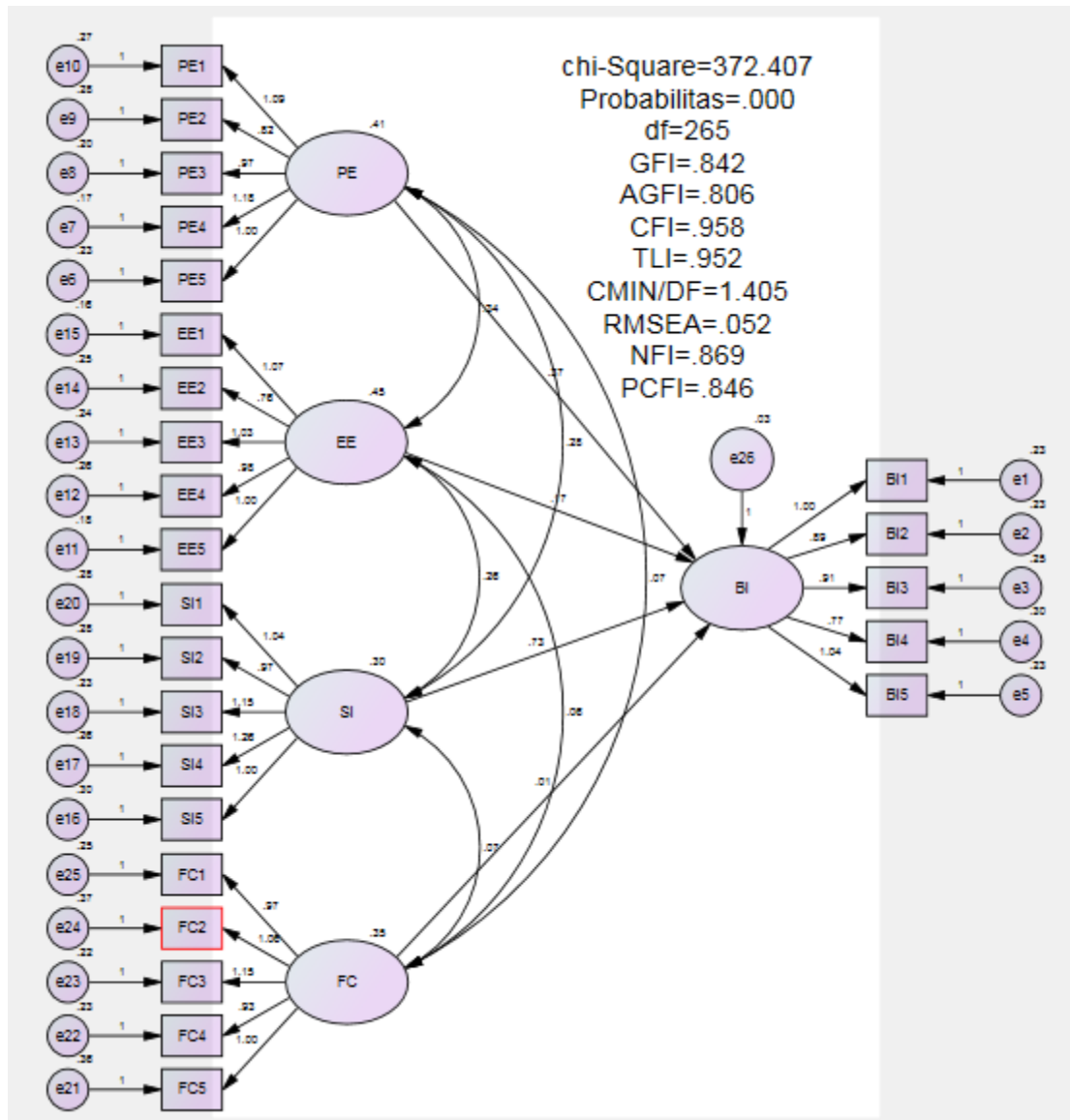


# ATTACHMENT

## MODEL RESEARCH WITH AMOS 22



## DEGREE OF FREEDOM

### Computation of degrees of freedom (Default model)

Number of distinct sample moments: 325  
Number of distinct parameters to be estimated: 60  
Degrees of freedom (325 - 60): 265

## NORMALITY TEST

### Assessment of normality (Group number 1)

Variable	min	max	skew	c.r.	kurtosis	c.r.
FC1	1.000	5.000	-.327	-1.645	-.004	-.011
FC2	1.000	5.000	-.272	-1.369	-.430	-1.082
FC3	1.000	5.000	.184	.925	-.301	-.758
FC4	1.000	5.000	-.264	-1.330	.020	.051
FC5	1.000	5.000	-.122	-.616	.140	.353
SI1	2.000	5.000	.127	.641	-.519	-1.305
SI2	2.000	5.000	-.162	-.816	-.296	-.746
SI3	2.000	5.000	.306	1.540	-.931	-2.343
SI4	2.000	5.000	.217	1.093	-.831	-2.091
SI5	2.000	5.000	.055	.277	-.433	-1.089
EE1	2.000	5.000	.205	1.032	-1.000	-2.517
EE2	2.000	5.000	-.138	-.692	-.263	-.661
EE3	2.000	5.000	-.053	-.267	-1.024	-2.577
EE4	2.000	5.000	-.116	-.586	-.789	-1.985
EE5	2.000	5.000	.165	.829	-.765	-1.926
PE1	2.000	5.000	.044	.224	-.914	-2.300
PE2	2.000	5.000	.111	.560	-.993	-2.500
PE3	2.000	5.000	-.083	-.415	-.393	-.990
PE4	2.000	5.000	.150	.754	-.767	-1.930
PE5	2.000	5.000	.279	1.405	-.639	-1.609
BI5	2.000	5.000	.166	.834	-.890	-2.239
BI4	2.000	5.000	-.151	-.758	-.450	-1.132
BI3	2.000	5.000	.042	.212	-.679	-1.709
BI2	2.000	5.000	.449	2.260	-.933	-2.348
BI1	2.000	5.000	.048	.242	-.737	-1.856
Multivariate					-6.881	-1.155

TEST OUTLIER

Observations farthest from the centroid (Mahalanobis distance) (Group number 1)

Observation number	Mahalanobis d-squared	p1	p2
69	46.178	.006	.607
89	42.882	.014	.645
56	42.496	.016	.435
80	39.374	.034	.758
102	38.096	.045	.822
132	36.888	.059	.891
95	36.266	.068	.895
85	35.973	.072	.863
123	35.901	.073	.788
151	34.554	.097	.929
79	34.415	.099	.898
58	33.824	.112	.927
121	33.532	.118	.921
146	33.007	.131	.944
104	32.815	.136	.932
131	32.494	.144	.936
48	32.466	.145	.903
54	32.418	.146	.863
42	32.327	.149	.825
111	32.206	.152	.791
136	32.195	.152	.721
64	32.172	.153	.647
33	31.933	.160	.648
130	31.464	.174	.732
51	31.255	.181	.730
76	31.043	.188	.730
22	30.708	.199	.773
144	30.237	.216	.851
98	29.633	.238	.932
119	29.344	.250	.947
32	29.109	.259	.954
6	28.968	.265	.950
112	28.577	.282	.972
149	28.386	.290	.974
66	28.378	.291	.961
82	28.141	.301	.968
7	28.041	.306	.963

Observation number	Mahalanobis d-squared	p1	p2
50	28.015	.307	.949
19	27.860	.314	.950
2	27.844	.315	.931
55	27.711	.321	.928
71	27.699	.322	.903
28	27.523	.330	.909
41	27.510	.331	.880
11	27.378	.337	.878
86	27.366	.338	.842
35	27.223	.345	.844
43	27.101	.351	.839
40	26.810	.365	.883
113	26.681	.372	.882
84	26.668	.373	.849
143	26.639	.374	.816
93	26.510	.381	.815
142	26.458	.383	.787
12	26.331	.390	.787
63	26.317	.391	.741
137	25.894	.413	.851
90	25.822	.417	.834
31	25.682	.425	.840
110	25.646	.427	.810
21	25.531	.433	.807
127	25.455	.437	.790
34	25.384	.441	.770
108	25.254	.448	.775
60	25.146	.454	.770
1	25.018	.461	.774
122	24.797	.474	.815
10	24.773	.475	.778
100	24.719	.478	.752
150	24.716	.478	.699
145	24.290	.503	.831
116	24.241	.505	.807
148	24.188	.509	.782
135	24.026	.518	.801
125	23.933	.523	.793
17	23.928	.524	.746
120	23.861	.527	.725
25	23.630	.541	.778

Observation number	Mahalanobis d-squared	p1	p2
140	23.448	.551	.807
109	23.444	.552	.762
37	23.404	.554	.728
129	23.365	.556	.692
78	23.315	.559	.659
70	23.246	.563	.636
14	23.164	.568	.619
15	23.132	.570	.574
16	23.057	.574	.553
3	22.936	.581	.558
65	22.877	.585	.527
8	22.852	.586	.476
67	22.776	.591	.455
96	22.739	.593	.411
49	22.703	.595	.368
4	22.549	.604	.390
88	22.318	.617	.458
99	22.209	.624	.456
114	22.184	.625	.404
74	22.130	.628	.371
62	22.118	.629	.315
46	22.099	.630	.267

## HYPOTHESIS TESTING

### Regression Weights: (Group number 1 - Default model)

	Estimate	S.E.	C.R.	P	Label
BI <--- PE	.367	.116	3.151	.002	par_27
BI <--- EE	.174	.083	2.113	.035	par_28
BI <--- SI	.726	.130	5.570	***	par_29
BI <--- FC	.010	.052	.189	.850	par_30
BI1 <--- BI	1.000				
BI2 <--- BI	.893	.076	11.761	***	par_1
BI3 <--- BI	.910	.078	11.613	***	par_2
BI4 <--- BI	.773	.078	9.887	***	par_3
BI5 <--- BI	1.040	.081	12.896	***	par_4
PE5 <--- PE	1.000				
PE4 <--- PE	1.178	.094	12.577	***	par_5
PE3 <--- PE	.968	.086	11.191	***	par_6
PE2 <--- PE	.819	.088	9.288	***	par_7
PE1 <--- PE	1.086	.099	11.023	***	par_8
EE5 <--- EE	1.000				
EE4 <--- EE	.978	.086	11.396	***	par_9
EE3 <--- EE	1.035	.086	11.972	***	par_10
EE2 <--- EE	.760	.076	10.005	***	par_11
EE1 <--- EE	1.071	.078	13.723	***	par_12
SI5 <--- SI	1.000				
SI4 <--- SI	1.255	.134	9.345	***	par_13
SI3 <--- SI	1.147	.125	9.204	***	par_14
SI2 <--- SI	.970	.118	8.226	***	par_15
SI1 <--- SI	1.036	.123	8.438	***	par_16
FC5 <--- FC	1.000				
FC4 <--- FC	.935	.116	8.026	***	par_17
FC3 <--- FC	1.147	.135	8.509	***	par_18
FC2 <--- FC	1.063	.128	8.295	***	par_19
FC1 <--- FC	.972	.117	8.276	***	par_20

DATA RESPONDENTS

No	Performance Expectancy					Effort Expectancy					Social Influences					Facilitating Conditions					Behavioral Intention					
	1	2	3	4	5	1	2	3	4	5	1	2	3	4	5	1	2	3	4	5	1	2	3	4	5	
1	5	5	4	4	5	5	4	5	4	4	4	4	5	5	5	4	5	5	4	4	4	4	5	4	4	
2	4	4	3	3	4	3	3	3	3	4	4	3	4	3	4	4	4	3	3	3	3	3	3	3	4	3
3	3	4	3	3	4	3	4	3	3	4	4	3	4	4	3	4	3	4	4	3	4	3	3	3	3	
4	3	4	3	3	3	4	4	4	5	4	3	4	4	4	4	4	4	4	3	3	3	3	3	4	3	
5	4	5	4	4	4	4	4	4	4	4	3	4	4	3	3	3	4	4	4	3	4	4	4	5	4	
6	3	3	3	3	3	3	2	3	3	2	4	3	3	3	2	2	3	3	3	2	2	3	2	3	2	
7	2	3	3	2	2	3	2	3	2	3	3	2	3	2	3	3	2	2	3	3	2	3	3	2	3	
8	5	4	5	5	5	5	4	5	5	4	4	5	4	4	4	5	4	5	4	5	5	4	5	5	5	
9	3	4	4	3	4	4	3	4	4	4	3	4	4	3	4	4	3	4	4	3	4	4	4	3	4	
10	2	3	3	3	3	3	4	3	3	3	4	4	3	3	3	3	2	3	3	2	3	3	2	2	3	
11	5	5	5	5	4	5	5	5	4	4	4	5	5	4	5	4	4	3	3	3	5	5	5	4	5	
12	5	5	4	5	5	4	5	4	5	4	4	4	5	5	4	4	4	3	3	4	4	5	5	5	4	
13	5	4	4	4	5	4	5	4	4	4	4	5	4	5	4	3	4	3	3	4	4	4	5	5	4	
14	4	4	3	3	4	3	4	3	3	3	3	3	3	4	4	3	2	3	2	3	4	3	4	4	4	
15	3	4	4	4	3	4	5	4	4	4	3	4	4	3	3	4	4	3	3	4	4	3	3	4	3	
16	5	4	5	5	5	5	5	5	5	4	4	4	5	5	5	4	3	4	3	3	5	5	5	5	4	
17	4	5	4	4	4	3	4	3	4	4	4	4	4	5	5	3	4	3	4	4	4	5	4	5	4	
18	4	4	3	3	3	3	4	3	3	3	3	4	4	3	4	2	1	2	2	1	3	3	4	3	4	
19	5	5	5	4	4	4	4	4	5	4	5	5	4	4	4	4	4	5	4	5	4	5	5	5	4	
20	4	4	3	3	3	3	4	3	3	3	4	4	4	3	3	3	4	3	4	4	3	4	4	4	3	
21	4	3	4	4	3	3	4	3	4	3	3	4	3	3	3	4	4	4	3	3	4	4	3	4	3	
22	4	5	4	5	4	4	5	4	4	5	5	5	4	5	4	3	2	3	3	2	5	5	5	4	5	
23	4	4	5	5	5	5	4	5	5	5	4	5	4	4	5	4	4	3	3	5	5	5	4	5		
24	3	4	4	4	4	3	4	3	3	3	4	4	4	4	4	3	4	3	3	4	4	4	4	3	4	
25	5	5	5	4	4	5	4	4	4	5	5	4	4	5	4	3	3	4	4	3	4	5	4	4	5	
26	5	4	5	5	5	5	5	5	4	5	4	4	5	5	4	3	3	3	4	4	5	5	4	5	5	
27	4	4	3	3	3	4	4	4	3	3	3	4	4	3	3	3	4	3	3	3	3	3	3	4	3	
28	4	3	4	4	3	4	3	3	4	4	4	4	3	4	4	3	2	2	3	3	4	4	3	4	4	
29	4	3	3	3	3	3	4	4	3	3	3	4	3	4	3	2	3	2	2	3	4	3	4	4	4	
30	3	3	4	4	4	4	3	3	4	4	4	4	3	3	4	3	2	3	3	3	4	3	4	4	4	
31	5	5	4	5	4	5	4	4	5	4	4	4	5	5	4	3	4	3	3	3	4	4	5	5	4	
32	4	5	5	5	5	5	4	4	4	5	4	3	4	3	4	4	3	4	4	3	5	5	5	4	5	
33	4	5	5	5	4	5	5	5	4	5	3	4	3	3	3	3	4	3	4	4	4	5	4	5	5	
34	4	4	4	3	3	4	4	4	4	4	3	3	4	4	3	3	3	4	4	4	3	3	4	3	4	
35	5	5	4	4	5	4	4	4	4	4	3	4	3	4	4	3	2	3	3	2	5	4	4	4	5	
36	5	4	4	5	5	4	5	5	4	5	4	5	5	5	4	4	4	3	3	4	5	4	5	5	5	

37	5	5	4	5	5	5	5	5	5	4	5	4	5	5	4	3	4	4	3	3	5	5	4	4	5
38	4	4	4	3	3	4	3	3	3	4	3	3	3	3	3	3	4	3	3	3	3	4	3	4	3
39	4	4	3	3	3	3	4	4	4	3	4	4	4	3	4	2	3	2	2	3	4	3	4	3	4
40	5	5	4	5	4	5	5	5	5	4	5	4	5	4	5	3	3	4	3	4	5	5	4	4	5
41	4	5	5	5	4	4	5	5	4	5	4	4	5	5	4	3	4	3	4	4	5	4	4	4	5
42	4	5	4	5	4	4	4	4	4	5	5	5	5	4	3	2	3	2	2	3	5	4	5	4	5
43	5	5	4	4	4	5	4	4	5	5	5	5	4	4	4	2	3	2	2	3	4	5	5	5	4
44	5	5	4	5	4	5	4	4	5	5	5	5	5	4	4	3	4	4	3	4	4	5	5	5	5
45	5	5	4	4	5	5	5	5	5	5	4	4	5	5	4	3	3	3	3	2	5	5	4	4	5
46	4	4	3	4	4	4	4	4	3	3	4	4	3	3	3	3	2	3	3	3	3	3	4	3	4
47	3	4	3	3	3	3	3	3	3	3	3	3	3	3	4	3	4	3	3	4	3	4	3	4	3
48	5	5	5	4	4	5	5	4	5	4	4	4	5	5	5	3	2	3	3	2	5	4	4	5	5
49	5	5	4	4	4	5	4	5	4	5	4	4	5	5	4	2	2	3	3	2	4	4	4	5	4
50	4	4	5	5	5	5	4	4	4	4	4	4	5	5	5	3	4	4	3	3	5	5	5	4	4
51	4	5	5	4	5	4	4	5	5	5	5	5	5	5	4	2	3	3	2	2	4	5	5	4	5
52	5	5	4	5	4	5	5	5	5	5	5	5	5	4	4	3	2	3	2	3	4	4	5	5	5
53	5	5	5	4	4	5	5	5	5	5	5	4	5	5	4	3	4	4	4	3	5	5	4	4	5
54	3	3	2	2	3	3	2	3	2	3	2	3	3	4	3	3	2	3	3	2	3	2	3	3	2
55	3	4	4	3	3	3	4	3	3	3	3	3	3	4	4	3	3	3	2	2	3	4	4	3	3
56	5	5	4	4	5	5	4	4	5	4	3	3	3	3	3	3	3	2	2	2	3	3	2	3	2
57	5	5	4	4	4	5	4	5	5	5	5	5	5	4	5	3	3	3	3	3	4	4	5	5	5
58	4	3	4	4	3	3	3	3	4	3	2	2	3	2	3	3	2	3	3	2	3	3	3	3	4
59	3	4	3	4	3	4	4	4	4	4	3	3	3	2	3	2	2	3	3	3	3	3	3	3	3
60	5	4	5	5	4	5	5	5	5	5	4	4	5	5	5	2	3	2	3	2	5	5	4	4	5
61	2	3	3	3	3	3	4	3	3	3	3	3	3	3	2	3	3	2	3	3	3	4	3	4	3
62	4	3	3	3	4	3	4	3	3	3	3	3	4	4	4	3	3	2	3	2	3	3	3	3	3
63	3	4	4	4	4	4	3	3	4	3	3	3	4	3	4	3	4	4	3	4	4	3	4	3	4
64	4	4	3	4	3	5	5	5	4	5	4	3	3	3	2	4	3	4	4	3	3	3	4	4	4
65	3	4	3	3	3	3	4	3	4	3	3	3	3	3	3	4	3	3	3	3	3	2	3	3	2
66	3	4	4	3	4	3	4	4	3	4	4	3	3	4	3	4	4	3	4	4	4	3	4	4	3
67	3	4	4	3	4	4	4	4	3	4	3	4	3	3	3	3	4	3	3	4	4	3	3	3	3
68	3	3	3	3	3	3	4	3	3	3	3	3	3	3	2	3	3	2	2	3	2	3	3	3	3
69	4	4	5	5	5	4	3	4	3	4	2	3	3	2	3	2	2	2	3	3	2	3	2	3	2
70	4	4	4	3	4	3	4	3	4	3	3	4	4	3	3	2	2	2	2	3	3	4	3	4	3
71	3	3	4	3	4	3	3	3	4	3	3	3	3	3	2	3	2	2	3	3	3	4	3	4	3
72	4	4	3	3	3	3	4	3	3	3	3	3	3	3	3	4	4	3	3	4	4	3	4	3	4
73	4	5	4	4	5	4	4	4	5	4	4	5	5	5	5	3	3	3	3	3	5	5	4	4	5
74	3	4	3	3	4	3	3	3	3	3	3	3	3	3	2	3	3	2	2	2	3	3	2	2	2
75	2	3	3	3	2	3	3	3	3	3	3	3	3	2	3	3	2	2	2	3	2	2	3	3	3
76	3	3	3	3	2	2	3	2	3	2	3	3	3	2	3	3	4	4	4	3	2	3	3	2	2
77	3	3	3	3	3	3	2	3	3	2	3	3	3	3	3	4	3	4	3	4	3	3	3	2	3



78	5	4	5	5	4	4	4	5	5	4	5	5	4	4	5	4	3	4	4	3	5	5	4	4	5
79	4	3	4	3	4	5	4	5	5	5	4	4	3	3	3	4	4	3	3	3	3	3	4	3	4
80	4	5	5	5	5	4	4	5	5	5	5	4	5	4	5	1	2	2	2	1	4	4	5	5	5
81	5	5	4	4	4	4	4	5	5	4	5	4	5	5	4	3	3	4	4	3	5	5	4	4	4
82	4	3	3	4	3	3	3	4	4	3	3	3	3	4	4	3	3	2	2	3	3	3	4	3	4
83	3	4	3	3	3	4	4	3	3	3	3	4	4	3	4	4	4	4	4	3	3	3	3	4	3
84	3	3	2	2	2	3	3	3	3	3	3	3	3	3	3	2	2	3	3	4	2	3	3	2	3
85	2	3	2	3	3	5	4	4	4	4	3	3	3	2	3	4	3	4	4	3	5	5	4	5	4
86	5	4	4	5	5	4	5	5	5	4	5	4	4	5	4	2	2	2	3	3	5	5	4	5	5
87	3	3	3	3	3	4	4	4	4	3	4	4	3	4	4	2	3	2	3	3	3	4	3	4	3
88	3	3	3	3	3	4	4	3	3	4	3	4	3	3	4	4	3	4	4	3	3	4	3	4	4
89	2	3	2	2	3	4	4	5	5	4	2	2	3	2	3	2	1	1	1	2	2	3	3	3	2
90	5	5	4	4	4	5	4	4	4	5	5	4	4	5	5	3	4	3	4	4	4	4	5	5	4
91	4	3	4	4	4	3	4	3	3	4	3	4	3	3	4	3	3	3	3	4	3	3	4	3	3
92	3	3	3	3	3	3	4	3	3	3	3	4	3	3	3	3	3	3	4	4	3	3	3	4	4
93	3	4	4	3	3	4	4	4	4	4	3	4	3	3	4	3	4	5	5	3	3	3	3	4	3
94	3	3	3	4	3	3	3	3	3	3	3	3	3	4	3	3	3	4	4	4	3	3	3	3	3
95	3	4	3	3	4	5	4	5	5	4	3	2	2	3	3	2	3	3	3	2	3	3	3	3	2
96	4	3	4	4	3	4	3	4	4	3	4	3	3	3	3	3	3	3	3	4	4	3	4	4	3
97	3	4	3	3	3	4	4	4	4	4	3	3	4	4	3	4	5	4	4	5	3	4	3	4	3
98	4	5	5	5	4	4	4	5	5	4	5	4	4	5	5	4	3	4	4	4	4	5	4	5	5
99	3	3	4	4	4	3	4	3	3	3	4	4	3	4	3	4	4	3	3	3	4	3	3	4	3
100	3	4	3	3	3	3	3	2	2	2	3	3	3	2	2	2	3	2	2	3	2	3	2	3	2
101	3	4	3	3	3	3	3	3	3	3	3	4	3	3	2	3	4	4	3	4	3	3	3	3	3
102	2	3	2	2	3	3	3	4	4	3	5	4	4	3	2	4	3	4	4	3	2	3	2	3	3
103	3	3	4	3	3	3	3	3	3	3	3	3	3	3	4	4	4	4	3	4	3	4	3	3	3
104	3	2	3	2	3	2	3	2	2	3	2	3	2	3	3	3	4	4	4	3	2	3	2	3	3
105	4	4	3	3	3	3	3	4	4	3	3	4	4	4	3	3	3	3	3	4	3	4	3	3	3
106	4	4	3	3	3	3	3	4	4	3	3	4	4	4	3	4	3	3	3	3	4	3	3	4	3
107	4	3	4	4	4	3	4	3	3	3	4	4	4	3	3	3	3	3	3	4	3	3	3	4	3
108	2	3	2	2	3	2	3	2	2	3	3	3	3	3	4	3	3	2	3	3	2	3	3	2	3
109	4	3	3	3	3	3	3	2	2	3	3	4	3	4	4	3	4	3	4	3	3	3	4	4	3
110	3	3	2	2	3	3	4	4	4	3	3	3	3	3	3	2	2	2	3	3	4	3	3	3	4
111	3	3	2	2	2	2	3	3	3	2	3	3	3	3	4	2	3	2	3	2	4	3	3	4	3
112	4	4	4	3	3	3	4	3	3	4	4	3	4	3	4	3	4	4	3	4	3	3	3	4	3
113	5	4	5	5	5	4	4	5	5	5	4	5	5	5	4	4	5	4	4	5	4	5	4	5	5
114	4	4	4	4	4	3	3	3	3	3	4	5	4	4	5	3	3	4	3	4	4	4	4	5	4
115	2	3	3	2	2	3	3	3	4	3	3	2	3	3	3	4	3	4	4	3	2	3	2	3	2
116	3	4	3	3	3	3	3	4	4	3	4	5	4	4	4	4	3	4	3	4	3	4	4	4	3
117	4	4	3	3	3	3	3	4	3	3	4	4	4	4	4	3	3	3	4	3	3	4	3	3	4
118	3	4	4	3	4	3	4	4	4	3	3	4	4	3	3	3	4	3	3	4	4	3	3	3	3

119	3	3	4	4	3	3	3	4	4	4	4	3	4	3	4	3	2	2	2	3	4	3	4	4	3	
120	3	4	4	4	4	3	3	3	3	4	3	4	4	3	4	3	4	3	4	3	4	3	3	3	3	
121	3	3	2	2	2	4	3	3	3	3	3	3	4	3	3	4	4	3	3	4	4	3	3	3	4	
122	4	4	4	3	3	3	3	4	3	3	4	3	4	3	4	4	3	3	4	3	3	4	3	3	3	
123	4	3	4	4	3	3	3	3	4	3	2	3	2	2	3	4	5	5	4	5	3	3	4	4	4	
124	3	4	3	3	3	3	3	4	3	3	4	3	4	3	4	3	4	3	4	3	3	3	3	3	3	
125	3	3	3	3	3	3	3	3	4	4	4	4	3	4	3	3	4	3	3	3	4	3	3	4	4	
126	3	3	3	3	3	3	4	4	3	3	4	4	3	3	4	4	3	4	4	3	3	3	3	4	4	
127	3	3	4	4	4	3	3	3	3	3	3	3	4	3	3	4	2	1	2	2	1	4	4	4	3	3
128	3	4	3	3	3	3	4	3	3	3	4	4	4	3	4	2	3	2	3	2	3	3	4	3	3	
129	4	4	3	3	3	3	3	4	4	3	4	3	4	4	3	1	2	2	1	2	3	3	4	3	3	
130	3	3	3	4	4	4	4	5	5	4	4	4	3	3	4	4	5	4	4	5	3	4	4	4	3	
131	3	3	3	3	3	4	5	5	5	4	4	5	5	5	4	4	4	3	3	3	4	4	5	4	5	
132	5	4	4	5	5	5	4	4	5	5	5	5	4	5	4	4	4	4	5	4	5	5	5	4	4	
133	3	3	4	4	4	4	3	4	4	4	4	3	4	3	4	3	3	4	3	3	3	3	4	3	3	
134	3	4	3	3	3	4	4	4	4	3	3	4	4	3	3	3	3	3	4	4	3	3	3	4	3	
135	4	4	4	4	5	5	5	4	5	5	4	4	5	5	4	4	4	3	3	4	5	4	5	5	4	
136	4	3	4	3	3	5	4	5	5	4	4	4	3	3	3	1	2	2	2	1	3	3	4	4	3	
137	5	4	4	4	4	4	4	5	4	4	4	3	4	4	4	4	5	5	4	5	4	4	4	3	4	
138	5	5	4	4	4	4	5	5	4	5	4	4	5	5	5	4	4	3	3	3	5	4	5	4	5	
139	3	4	4	3	3	3	3	4	4	3	3	4	3	3	4	3	3	4	3	4	3	3	4	4	3	
140	3	4	4	4	4	3	3	4	3	3	3	3	4	4	3	4	4	3	3	4	4	4	3	4	3	
141	3	4	3	3	3	3	3	4	4	3	3	4	3	4	3	3	4	4	3	3	3	3	3	4	3	
142	4	4	4	4	3	4	4	3	4	4	4	3	4	4	3	5	4	5	4	4	3	3	4	4	3	
143	3	3	4	3	3	4	4	3	4	4	2	2	3	3	3	2	3	2	2	3	3	4	3	4	3	
144	5	5	4	4	5	5	5	5	4	4	3	4	4	3	3	2	2	3	3	2	4	4	5	4	4	
145	5	4	4	5	4	5	4	5	4	4	4	5	5	4	4	4	3	4	4	4	4	5	4	5	5	
146	3	4	4	3	4	4	4	3	4	3	4	4	3	4	4	4	5	5	4	5	3	3	4	4	4	
147	4	3	3	3	3	4	4	5	5	4	4	4	4	3	3	3	4	3	3	3	3	3	3	4	3	
148	3	4	4	3	3	4	4	5	5	4	4	3	3	3	4	3	4	3	3	4	4	4	3	4	4	
149	4	3	3	4	3	5	4	5	4	4	3	4	3	4	3	3	4	3	3	4	3	3	4	3	3	
150	3	4	4	3	3	4	4	5	4	5	4	4	3	3	3	4	4	3	4	3	3	4	3	4	3	
151	3	3	4	4	3	4	4	5	4	4	2	2	3	3	2	3	2	3	3	2	3	4	4	3	3	
152	4	4	4	4	3	4	4	5	5	4	4	4	4	3	3	3	4	4	3	4	3	3	4	4	3	